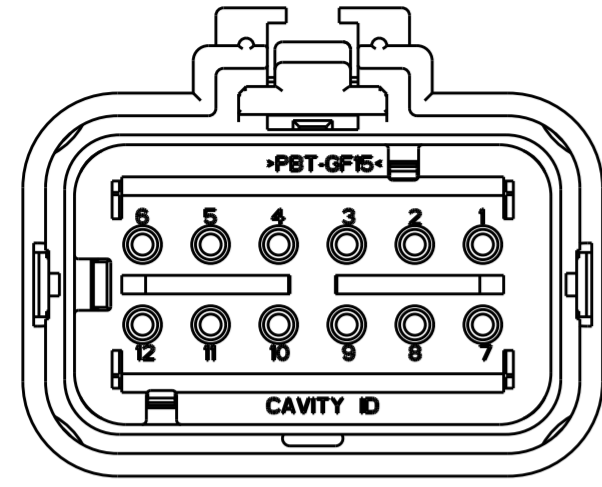
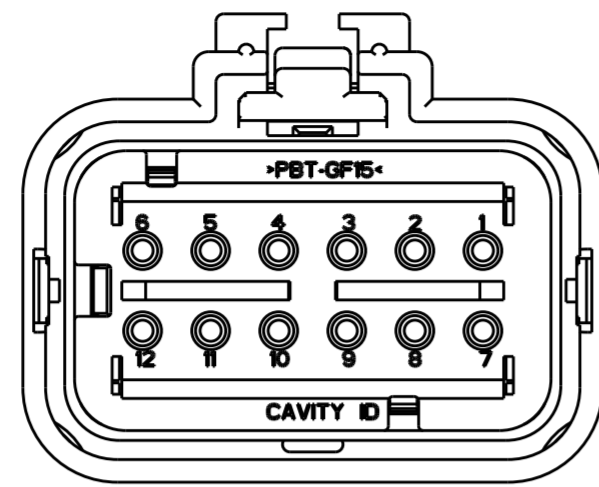


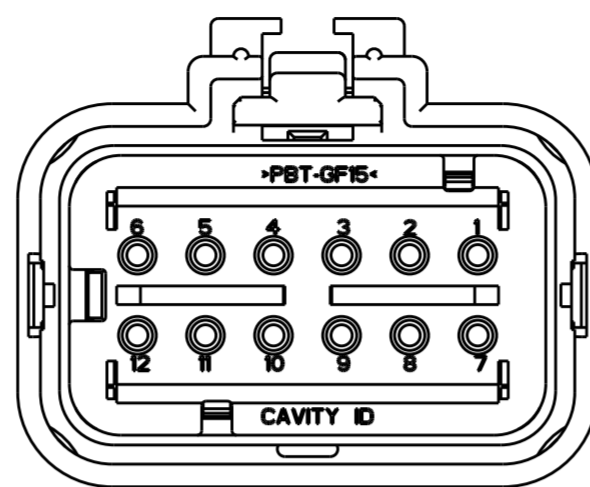
REVISIONS				
P	LTR	DESCRIPTION	DATE	APVD
F		REVISED PER ECO-13-019231	09DEC2013	DR RB



776437-2
SCALE 2:1

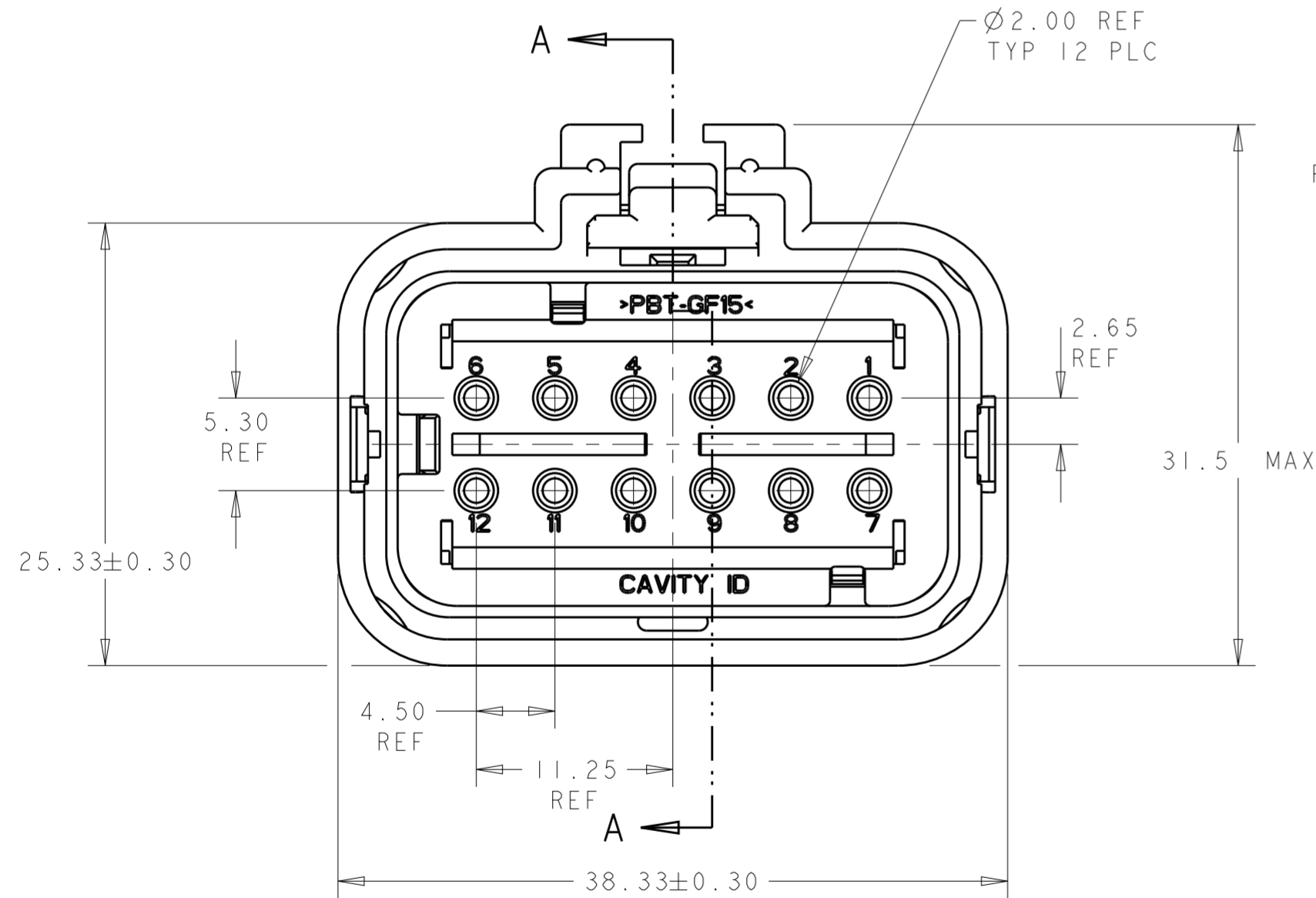


776437-3
SCALE 2:1

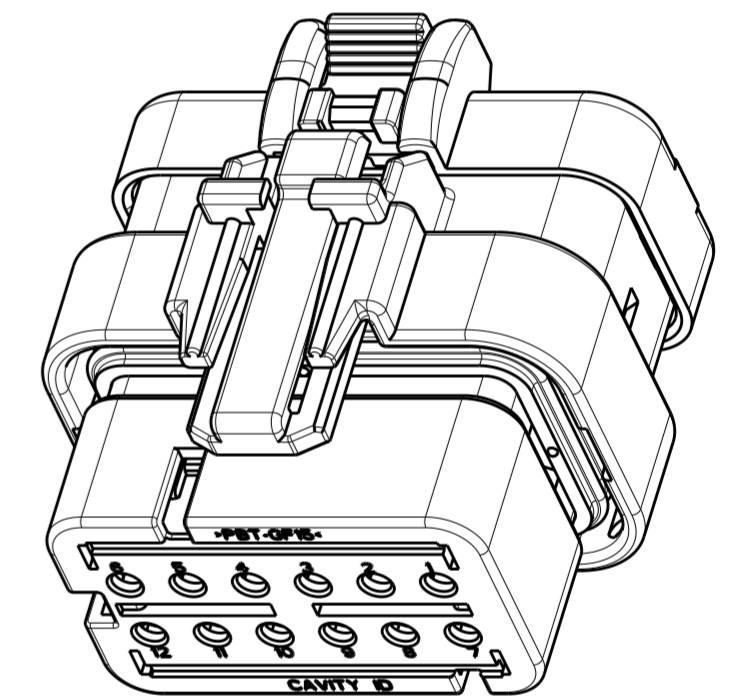
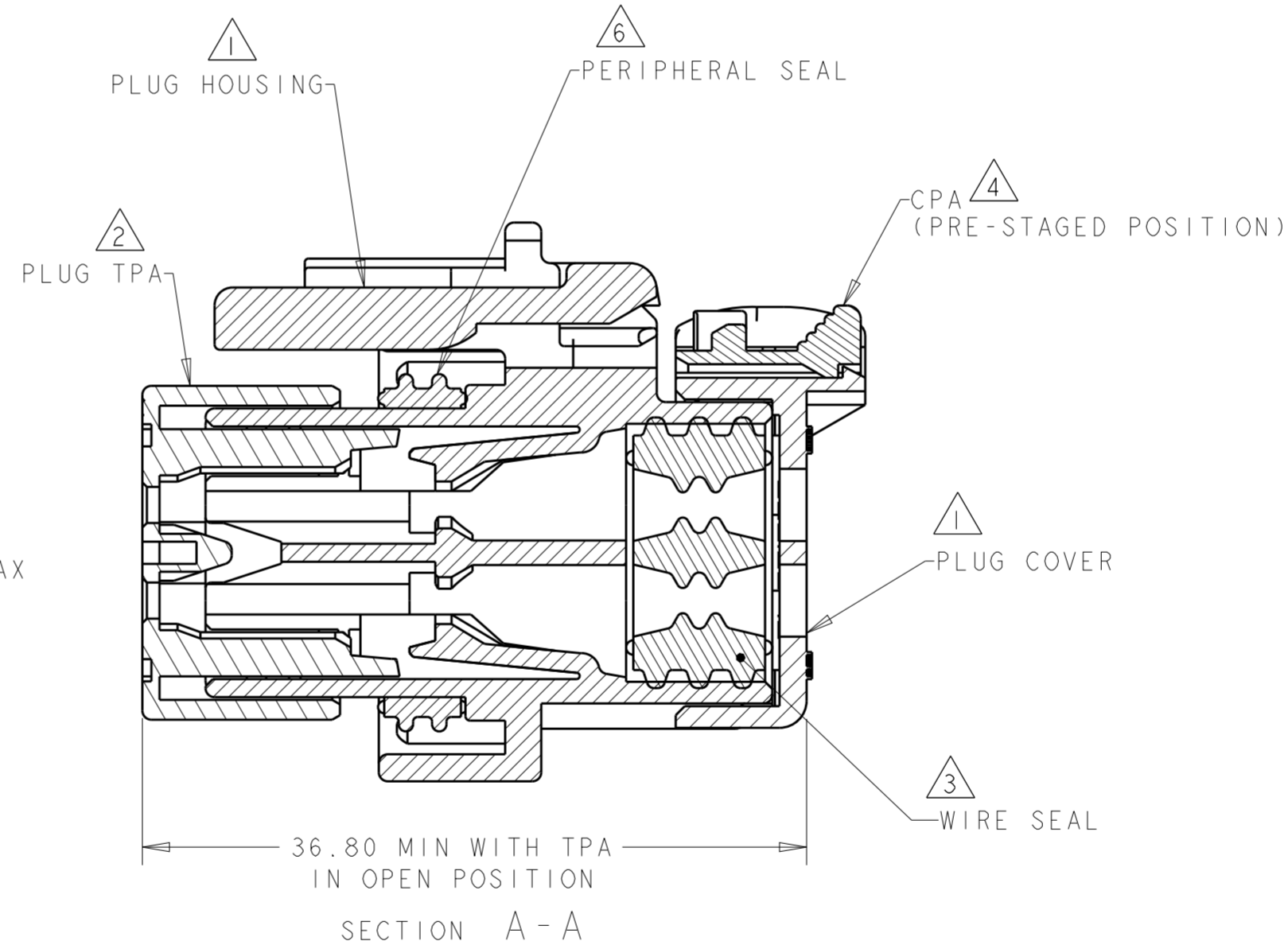


776437-4
SCALE 2:1

- 1 MATERIAL: 15% GLASS FILLED THERMOPLASTIC
COLOR: BLACK
- 2 MATERIAL: 15% GLASS FILLED THERMOPLASTIC
COLOR: (SEE TABLE)
- 3 MATERIAL: SILICONE
COLOR: GREEN
- 4 MATERIAL: 15% GLASS FILLED THERMOPLASTIC
COLOR: RED
- 5. RECOMMENDED WIRE DIAMETER RANGE IS 2.18 TO 3.67mm.
- 6 MATERIAL: SILICONE
COLOR: TAN



776437-1 SHOWN



SCALE 2:1

GREEN	776437-4
YELLOW	776437-3
GRAY	776437-2
RED	776437-1
TPA COLOR	PART NUMBER

THIS DRAWING IS A CONTROLLED DOCUMENT.		DWN AJ GRAFF 07JUN00	TE Connectivity PLUG ASSEMBLY, 12 POSITION, DUAL ROW, AMPSEAL 16	
DIMENSIONS:		CHK R GREINER 03JAN02		
mm		APVD M TRULLI 03JAN02		
TOLERANCES UNLESS OTHERWISE SPECIFIED:		PRODUCT SPEC		
0 PLC	±	108-2184	NAME	RESTRICTED TO
1 PLC	±	APPLICATION SPEC	SIZE	CAGE CODE
2 PLC	±	114-13065	A20779	G-776437
3 PLC	±	WEIGHT	SCALE	SHEET
4 PLC	±	20	3:1	OF
ANGLES	±	Customer Drawing	REV	F
FINISH	-			